

**EPL/EP SERIES**

Oil Capacity: 5-23 L  
Rated Flow: 0.08-0.15 L/Min  
Pres. Precision: ±1.5%  
Max. Pressure: 150-350 Mpa  
Motor Power: 0.8 Kw



**Control Handle**

The aluminum alloy handle can be used to control the start and stop of the pump from a long distance, which is safe and convenient.



**WARNING**

- Overload of pump rated pressure is forbidden,
- Use matched pressure accessories for working.

**FEATURES AND BENEFITS**

- EP/EPL Series pumps are double-stage piston pump design without booster.
- Brushless motor, low noise, low maintenance.
- With adjustable relief valve, adjust the system pressure accurately.
- No-leak design, keeping pressure while cut-off power.
- Aluminum reservoir and frame, compact design, low weight and easy to carry.
- Install with CEJN Quick Couplers.

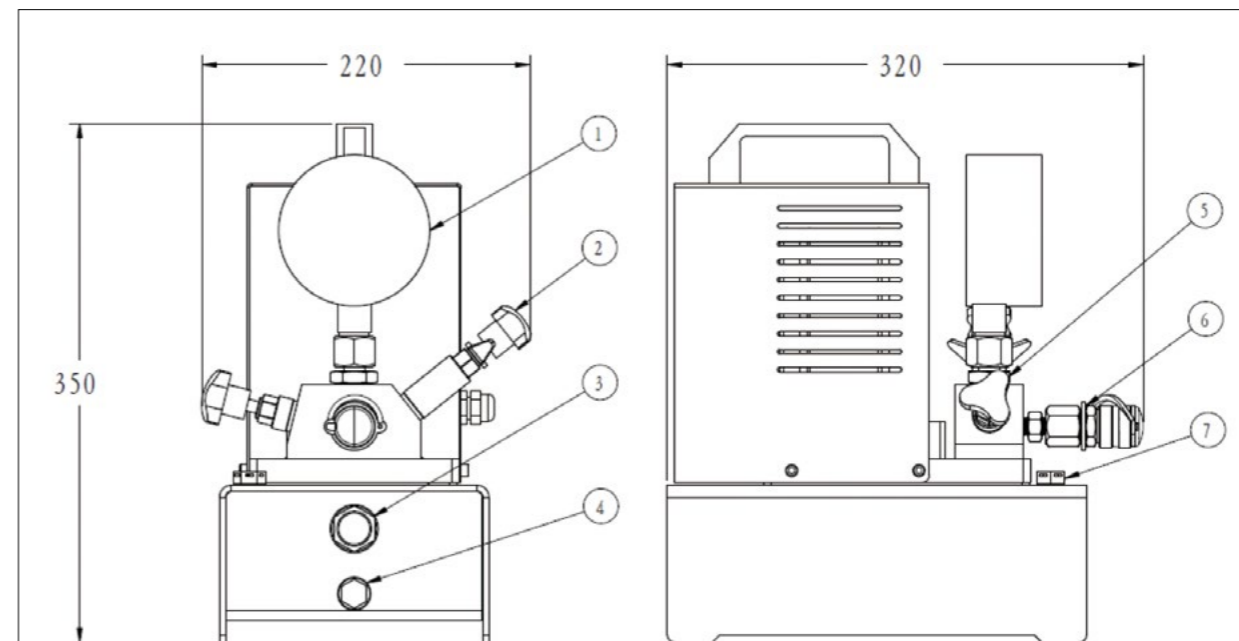
**EPL/EP SERIES PUMPS SPECIFICATIONS**

Model	Max. Pressure	Flow Rate	Flow Rate	Usable Oil	Outlet Thread	Coupler	Weight
	(bar)	(L/min)	(L/min)				(L)
<b>EPL1500</b>	1500	1.5	0.15	3	G1/4	CEJN: 116	16
<b>EP1500</b>		1.5		5			18
<b>EPL2000</b>	2000	1.5	0.12	3	G1/4	CEJN: 125	16
<b>EP2000</b>		1.5		5			18
<b>EPL2500</b>	2500	1.5	0.10	3	G1/4	CEJN: 125	16
<b>EP2500</b>		1.5		5			18
<b>EPL3500</b>	3500	1.5	0.08	3	M16X1.5	CEJN: 140	16
<b>EP3500</b>		1.5		5			18

**Remarks:**

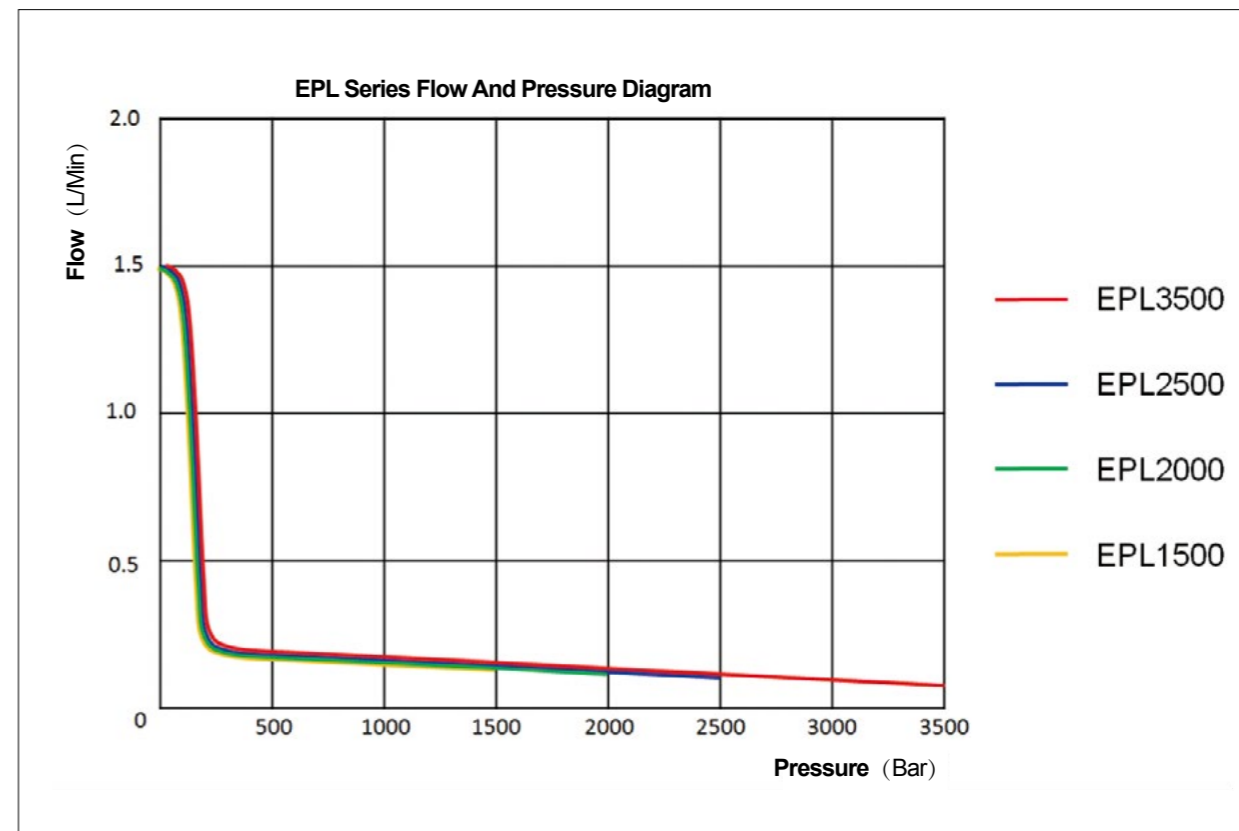
EPL/EP are equipped with CEJN quick couplers.  
Customerized type please contact with Belium.  
Recommend to use ISO-VG46 hydraulic oil.

**EP/EPL Series Dimensions**



- 1. Pres. Gauge
- 2. Relief Valve
- 3. Level Gauge
- 4. Oil Discharge Port
- 5. Oil Filling Port
- 6. Release Valve
- 7. Oil Outlet Port

**EPL Series Flow And Pressure Diagram**



**EPW SERIES**

Oil Capacity: 40 L  
Rated Flow: 0.15-0.3 L/Min  
Pres. Precision: ±1.5%  
Max. Pressure: 150-350 Mpa  
Motor Power: 1.5 Kw



**Control Handle**

The aluminum alloy handle can be used to control the start and stop of the pump from a long distance, which is safe and convenient.



**WARNING**

- Overload of pump rated pressure is forbidden,
- Use matched pressure accessories for working.

**FEATURES AND BENEFITS**

- EP/EPL Series pumps are double-stage piston pump design without booster.
- Brushless motor, low noise, low maintenance.
- With adjustable relief valve, adjust the system pressure accurately.
- No-leak design, keeping pressure while cut-off power.
- Aluminum reservoir and frame, compact design, low weight and easy to carry.
- Install with CEJN Quick Couplers.
- Lockable Wheels.

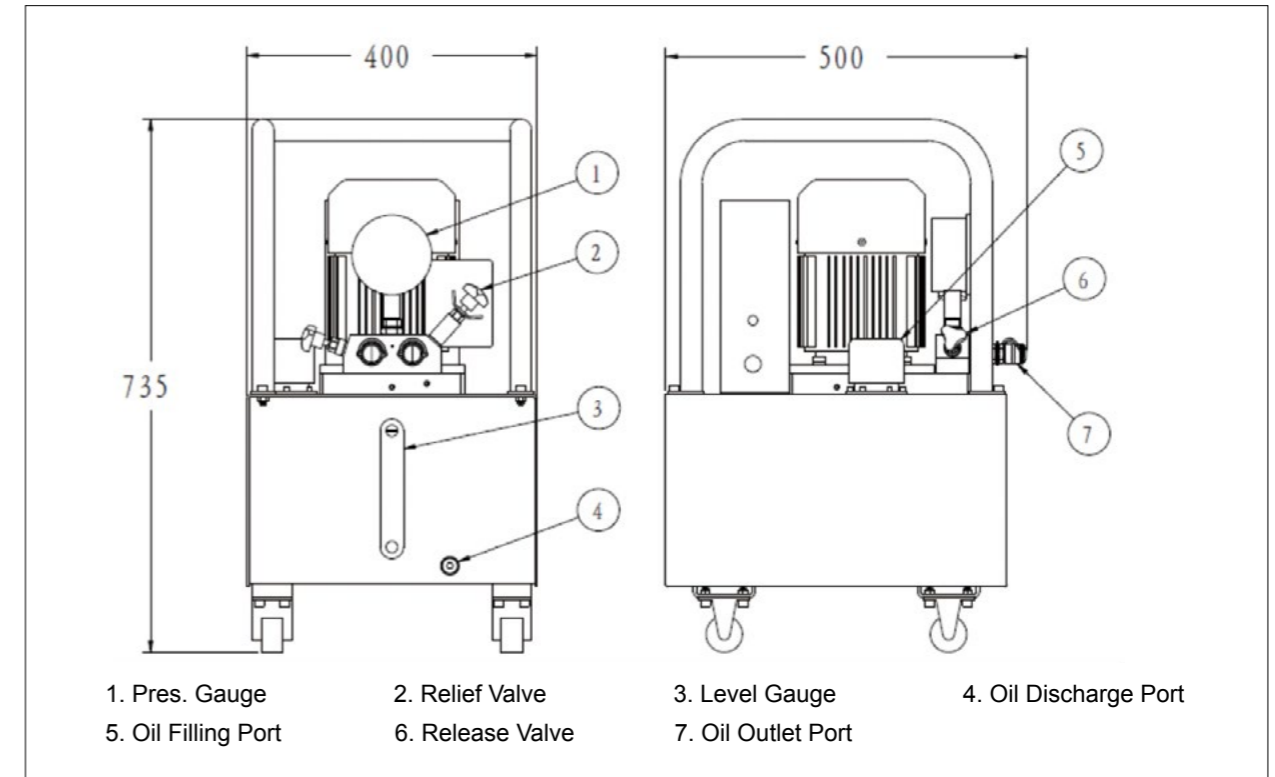
**EPW SERIES PUMPS SPECIFICATIONS**

Model	Rated Pres.	Flow Rate	Flow Rate	Oil Cap.	Outlet Port Thread	Weight Without Oil (KG)
	(bar)	(L/min)	(L/min)	(L)		
EPW1500	1500	3	0.3	40	G1/4	55
EPW2000	2000	3	0.25	40	G1/4	55
EPW2500	2500	3	0.20	40	G1/4	55
EPW3500	3500	3	0.15	40	M16X1.5	55

**Remarks:**

EPW Series are equipped with CEJN quick couplers.  
Customerized type please contact with Belium.  
Recommend to use ISO-VG46 hydraulic oil.

**EPW Series Dimensions**



**EPW Series Flow And Pressure Diagram**

